

EZ GET UP CHAIR SUPPORT

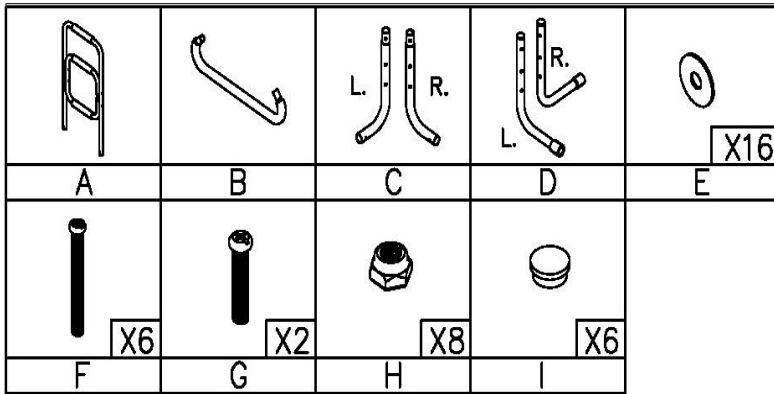


Image 1

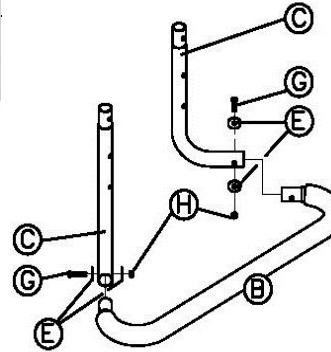
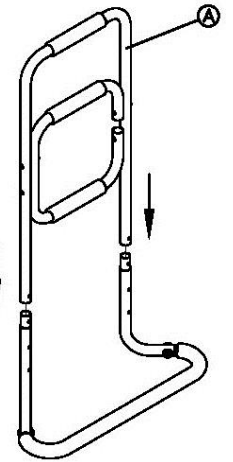


Image 2



Assemble:

1. Slide Base (B) into Front Legs (C). **See image 1.**
2. Add Washer (E) on Screw (G). Then slide Screw & Washer into the opening connecting Base & Leg together. Add Washer (E) to other end of the screw and fasten with Nut (H). Repeat for other side. **See image 1.**
3. Slide Main Bar (A) onto front legs. **See image 2**
4. Add Washer (E) on Screw (F). Slide Screw into Back Leg (D) connecting it to base and front legs. **See image 3.**
5. Add Washer (E) to other end of screw and secure with Nut (H).
6. Insert Plastic Caps (I) into both ends of Main Bar (A) top ends and bottom ends of Back Legs (D). **See image 4.**

Note:

- DO NOT LEAN ON OR APPLY WEIGHT. NOT MEANT TO BE USED AS A CANE OR WALKER.
- For support and assistance getting up.

Image 3

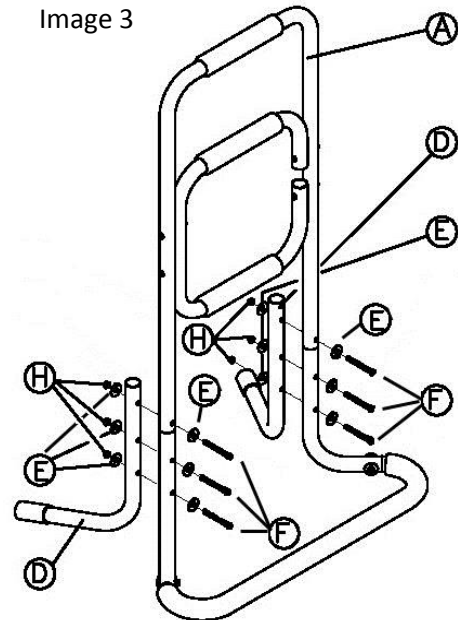
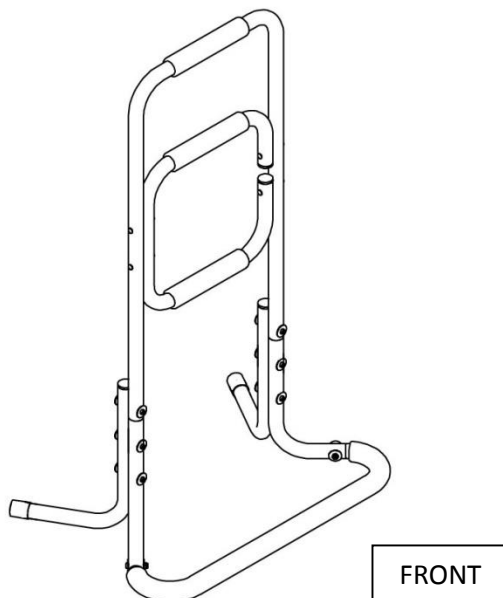
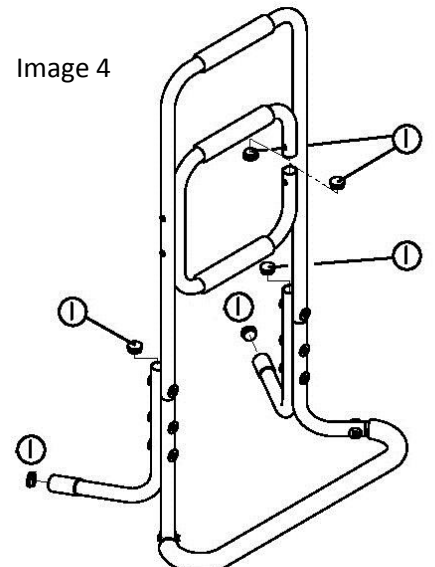


Image 4



*MAX WEIGHT CAPACITY OF 350LBS.

MADE IN TAIWAN