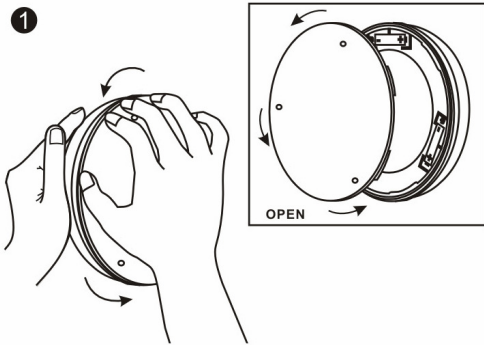


CEILING / WALL LIGHT WITH REMOTE (JB5571)

Extra Lights (JB5573) sold separately

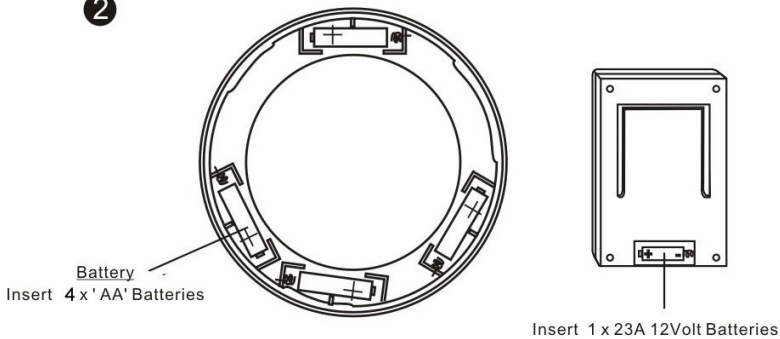
INSTRUCTIONS

1



Twist the back cover of the light counter clockwise to open.

2

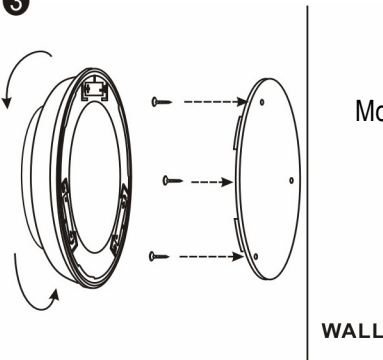


Insert batteries in the back of the light and remote as shown.

CAUTION

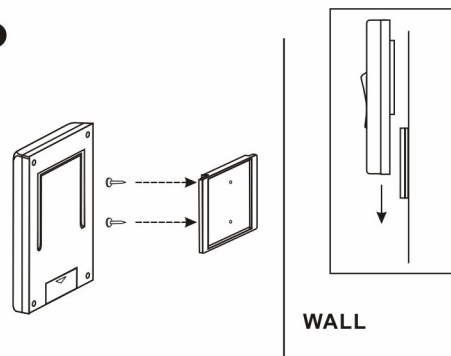
Only use batteries of the same type. Do not mix alkaline, standard (carbon-zinc), or rechargeable (nickel-cadmium) batteries. Do not mix old and new batteries.

3

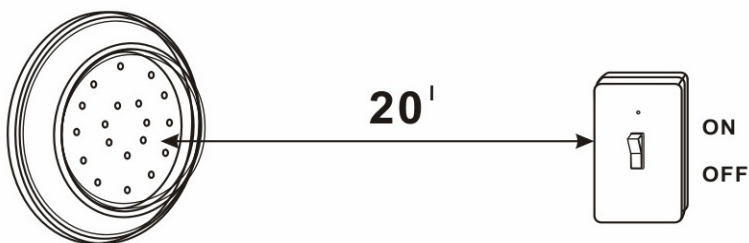


Mount the back plate to a wall or ceiling (screws included).

4



Mount the remote to the wall (screws included).



The remote will work with up to 4 lights at 20 feet away.

*Must purchase **JB5571** for **JB5573** to work.