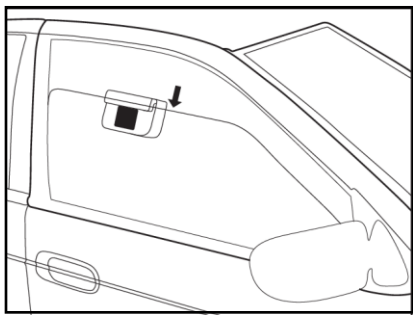
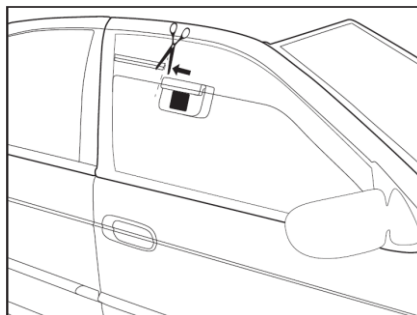


SOLAR AUTO FAN

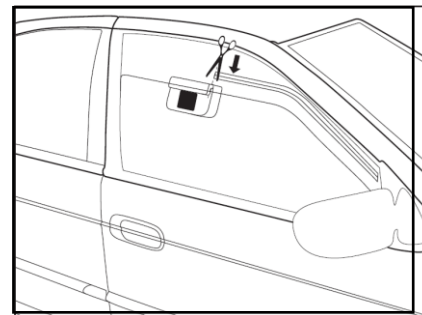
USE INSTRUCTIONS:



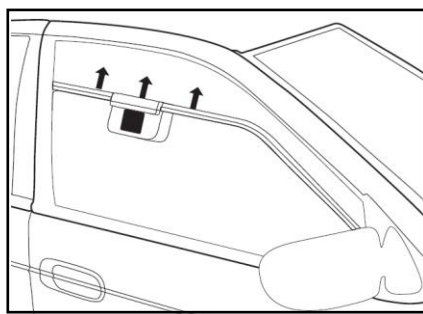
1



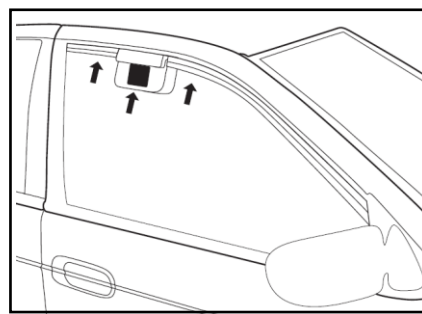
2



3



4



5

*** FOR BEST RESULTS ROLL DOWN A WINDOW ON OPPOSITE SIDE OF THE FAN ABOUT ½ INCH. THIS WILL ALLOW CIRCULATION OF FRESH AIR.**

CAUTION:

- ITEM TO BE USED ONLY WHEN VEHICLE IS PARKED AND IGNITION IS SHUT OFF.
- CHILDREN AND PETS SHOULD NOT BE LEFT UNATTENDED IN VEHICLE.
- SOLAR FAN MUST BE REMOVED WHILE OPERATING YOUR VEHICLE AS IT MAY OBSTRUCT YOUR VISION.

NOTE:

- THIS IS A DIRECT SOLAR DEVICE. BATTERIES ARE INCLUDED IN ITEM. NO ADDITIONAL BATTERIES ARE REQUIRED.
- MAKE SURE THE SOLAR PANEL IS FACING THE SUN.
- IT WILL ONLY WORK IN DIRECT SUNLIGHT FOR SOLAR CHARGING. NOT WORKING ON CLOUDY DAYS.
- SOLAR FAN WILL NOT WORK IF WINDOWS ARE TINTED.
- SOLAR FAN DOES NOT WORK LIKE AN AIR CONDITIONER. IT IS MEANT TO IMPROVE CIRCULATION AND VENTILATION OF AIR. THE DEVICE PUSHES HOT AIR OUT, KEEPING HEAT FROM BUILDING UP IN YOUR AUTOMOBILE.